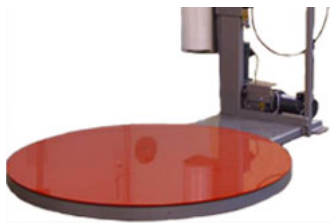
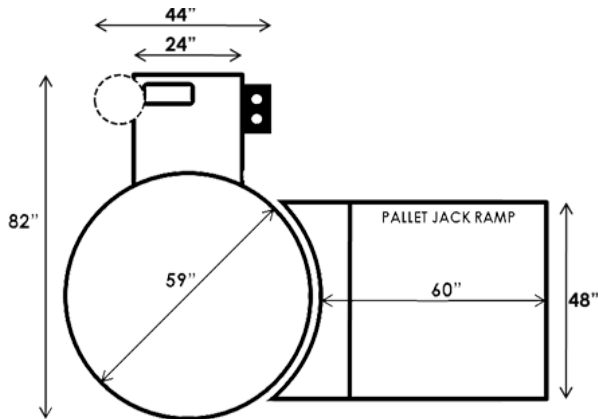




The E-STRETCH film carriage provides consistent film tension and stretch to securely wrap pallet loads.

The Robust PRO-GLIDE turntable support system is maintenance free and features superior weight capacity.

The advanced and user-friendly DIGI-TECH control unit features unique functions to wrap any type of pallet .



G-2

Low-Profile Semi-Automatic

- Uses 20" machine film
- Adjustable to 18" hand wrap rolls
- Adjustable film tension
- 0 to 80 % film stretch
- Rugged and low maintenance UHMW carriage guide
- Quick and easy film replacement

- Structural steel frame
- Forklift portable
- Very low maintenance
- Easy access to components
- 1/2 HP turntable drive motor
- Heavy duty turntable chain drive
- Maintenance free turntable support casters

- Photo-eye automatic height detection
- Separate top and bottom wrap count 1-10
- Turntable soft start/stop
- Dual adjustable film carriage speed
- Reinforce wrap function
- Positive turntable home alignment
- Gentle cycle feature for light or unstable pallets

Technical Specifications

Turntable Speed	Adjustable up to 14 RPM
Control Type	Full-Feature Semi-Automatic
Max. Load Capacity	4,000 lbs
Max. Load Height	80"
Turntable Size	59" diameter
Turntable Height	3" from floor
Pre-Stretch Ratio	0 to 80%
Max. Load Size	56" x 56"
Electrical	115/1/60 12 amp
Warranty	1 year limited
Tower Height	85"
Clearance Required	90"

POPULAR OPTIONS

- Standard loading ramp for pallet jack
- Extended heavy duty ramp for electrical walkie
- Wrap height extension for taller pallets
- Frame extension for longer and wider pallets
- 30" film carriage